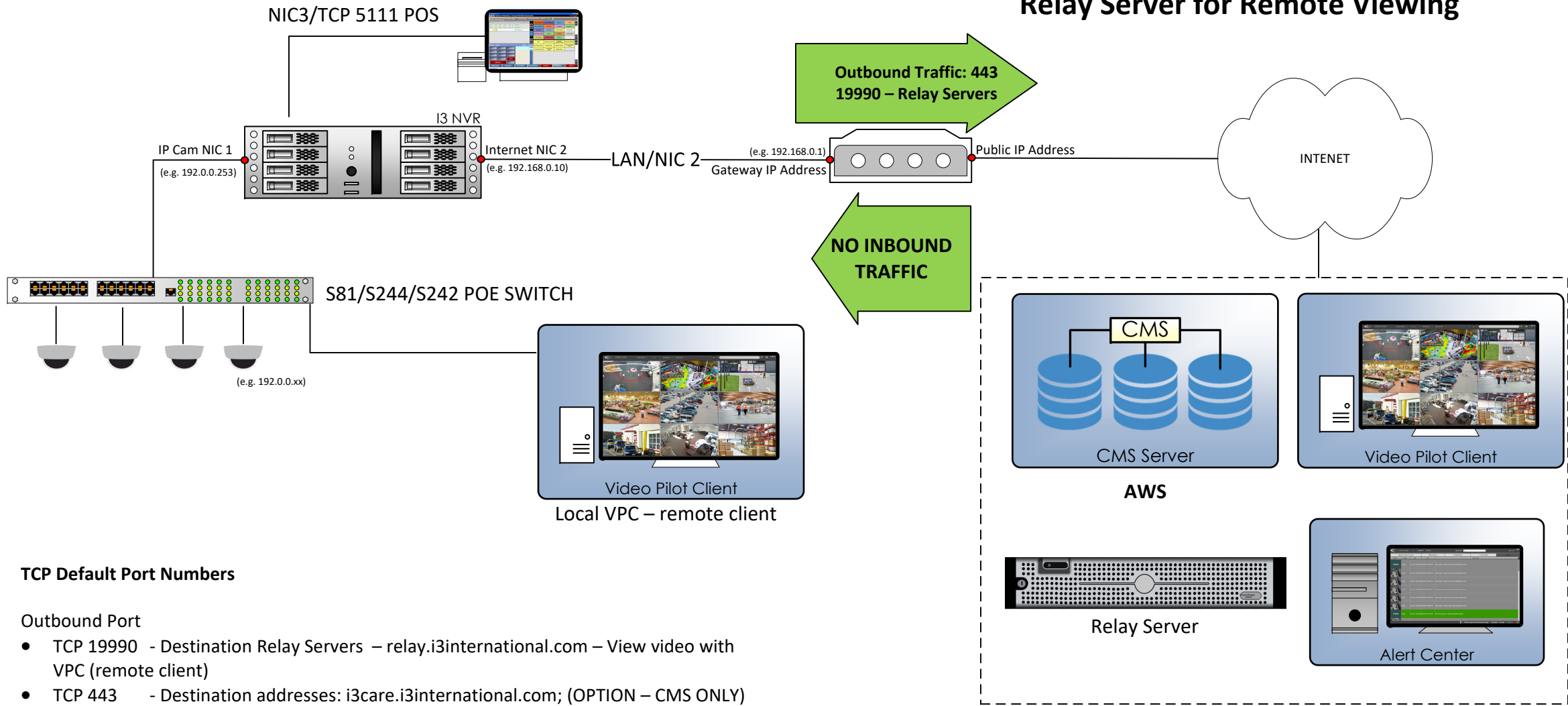



# Relay Server for Remote Viewing



### TCP Default Port Numbers

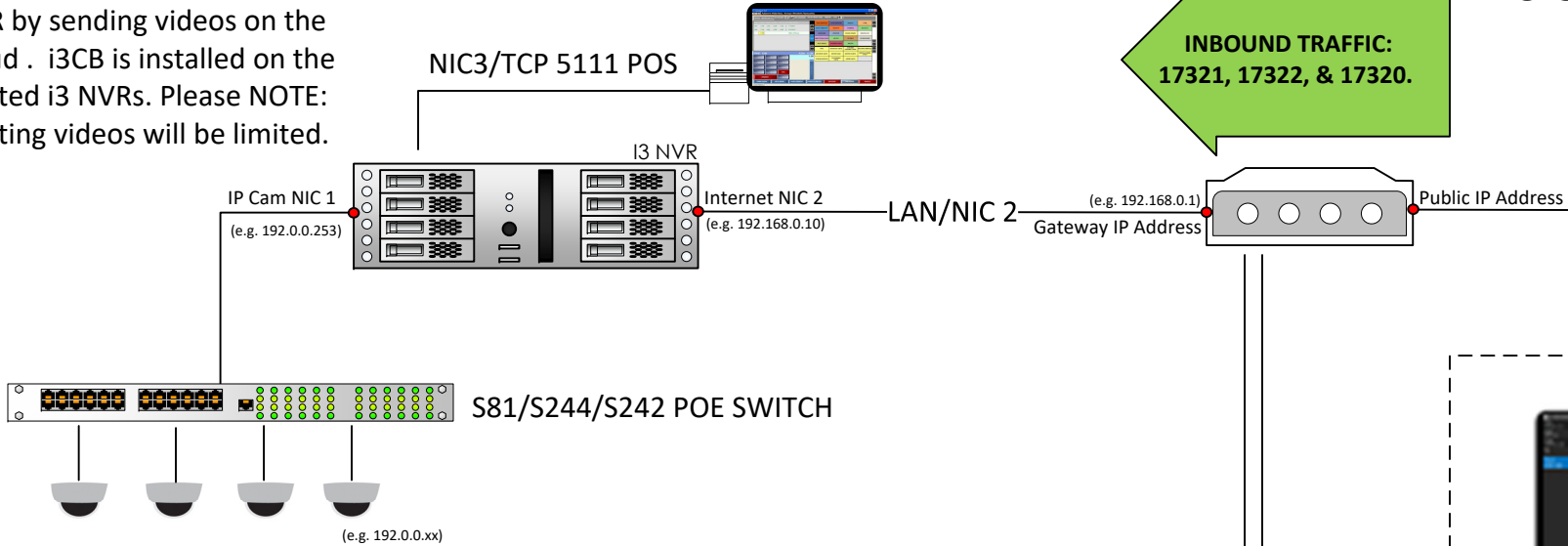
#### Outbound Port

- TCP 19990 - Destination Relay Servers – relay.i3international.com – View video with VPC (remote client)
- TCP 443 - Destination addresses: i3care.i3international.com; (OPTION – CMS ONLY)
- TCP/UDP 5938 - Destination address: \*.teamviewer.com (OPTION)

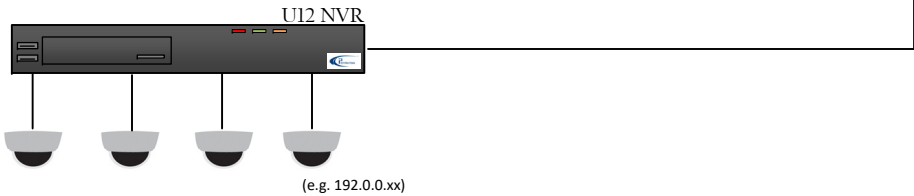
		<b>i3 International Inc.</b> 780 Birchmount Rd., Unit 16, Scarborough, ON, Canada M1K 5H4		
Drawn by:	BH	TITLE: Port Forwarding For Remote Connections – Relay Server		
Checked by:	BH	DWG. NO.: 1	SIZE: Legal	REV.: A
Date:	05/21/21	SCALE: NTS	SHEET: 1 of 1	

# i3 Cloud Backup Service (i3CB)

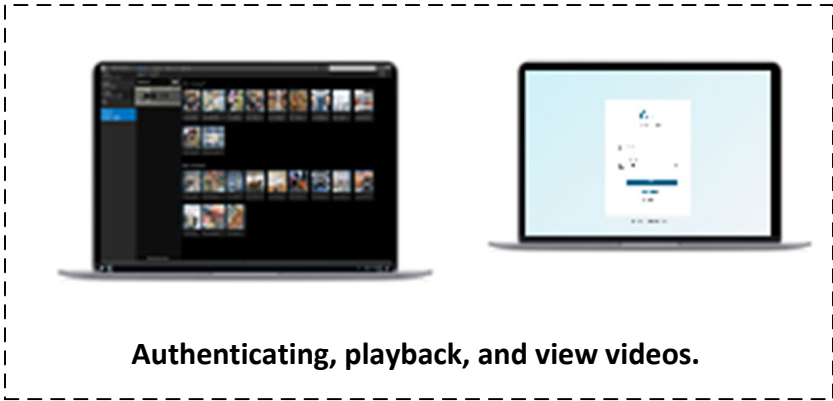
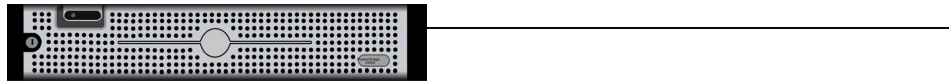
**Scenario 1:** Converting current NVR by sending videos on the cloud. i3CB is installed on the existed i3 NVRs. Please NOTE: existing videos will be limited.



**Scenario 2:** new 16 channels of video on U12 w/ built in PoE. IP cameras required.



**Scenario 3:** SRX-Pro software and i3CB service are installed on customer's Windows 10.



**TCP Default Port Numbers**

Inbound Port Forward to NVR's Internet NIC

- TCP 17321 - Main control port
- TCP 17322 - Video Port
- TCP 17320 - Remote web setup

		<b>i3 International Inc.</b> 780 Birchmount Rd., Unit 16, Scarborough, ON, Canada M1K 5H4		
Drawn by:	BH	TITLE: i3 Cloud Backup Service		
Checked by:	BH	DWG. NO.: 1	SIZE: Legal	REV.: A
Date:	05/21/21	SCALE: NTS	SHEET: 1 of 1	