



Goose-neck Bracket Mounting Kit

DB60

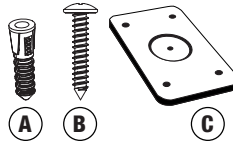
DB60 is the goose-neck wall mounting bracket. It is designed for direct surface mount, or standard single gang outdoor electrical box installations (e.g. Red Dot S100WHCN). DB60 can be combined with the optional DB60CPM bracket for corner- or pole-mount installations.

DB60 is compatible with all i3-series camera back boxes for easy installation.

PACKAGE CONTENTS

Ensure that the items received match those listed on the order form and the packing slip. In addition to this manual and a DB60 goose-neck mounting bracket, the dome camera packing box includes:

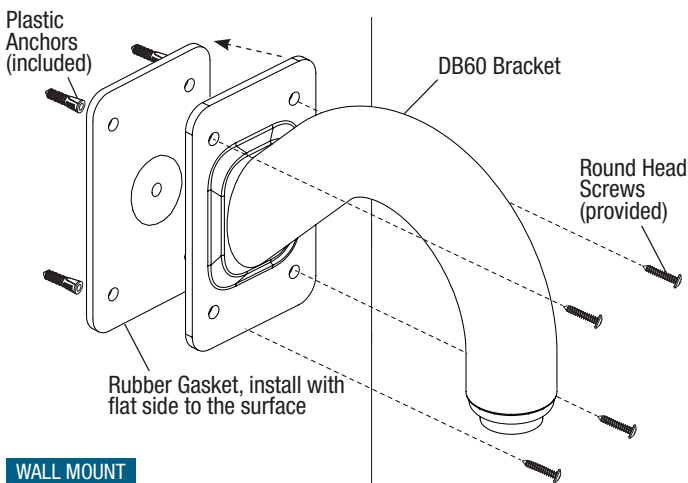
- A.** Plastic Anchor x4
- B.** Round Head Screw (Tapping Type)
- C.** Rubber Gasket x1 (Use as a wall-mount template)



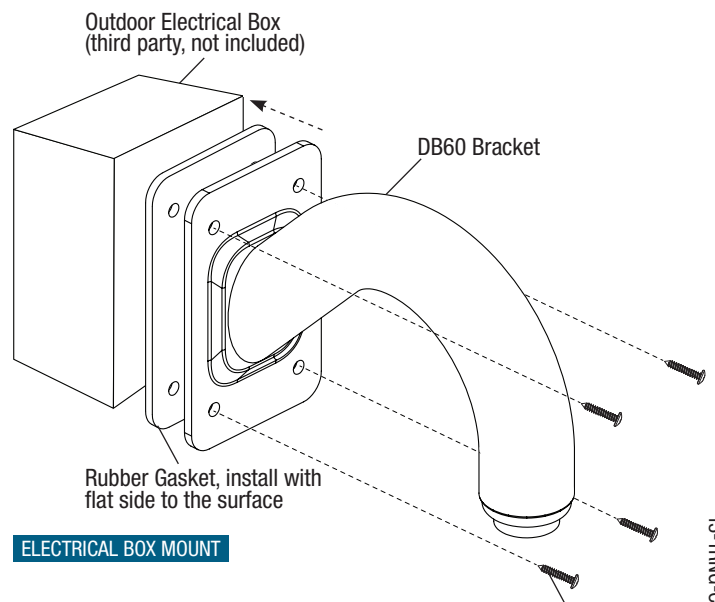
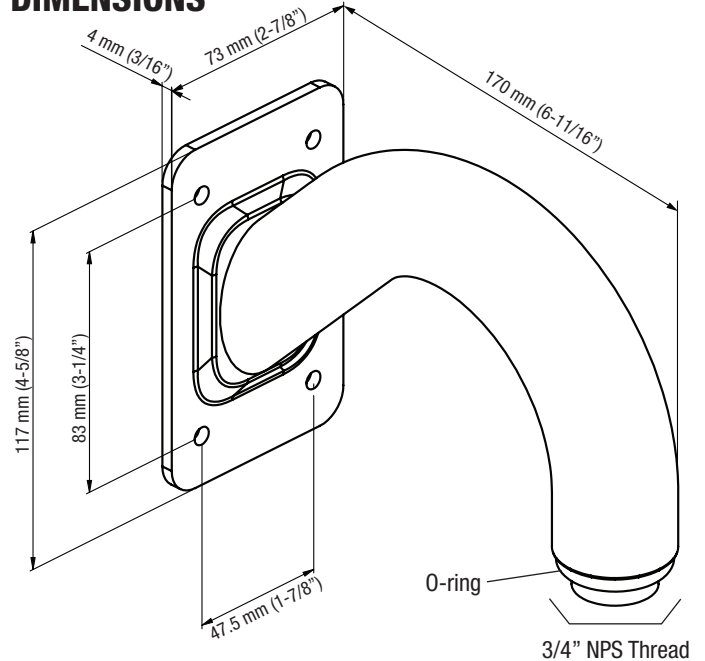
INSTALLATION

- It is the installer's responsibility to ensure that the mounting surface is suitable for the chosen installation method.
- Based on the installation location and surface type, supplied screws and anchors may not be adequate.
- Mounting hardware is site-specific and may need to be supplied by the installer.
- Rubber gasket provides a water-tight seal between surfaces and keeps moisture and insects out of the gooseneck.
- Use the provided rubber gasket as a mounting template to mark hole locations prior to drilling.
- In all outdoor installations, use silicone on 3/4" NPS thread, on screw holes and around the entire perimeter of the installation plate to maintain waterproof seal.

MOUNTING OPTIONS



DIMENSIONS



COMPATIBLE WITH

- All i3 camera back boxes
- DB60CPM - Corner/Pole Mount Bracket

Machine-type screws (not included), as required for the electrical box

Scan this QR code or visit ftp.i3international.com to view and download Quick Guides and Manuals for i3 products. Please contact our Technical Support team if you require services or support. Technical support can be reached at: support@i3international.com and toll-free at **1.877.877.7241**.

