

Re: Integrating your LDAP user groups with your SRX-Pro Server

To all of our customers and partners;

For the security of your system, i3 International highly recommends utilizing LDAP user management in the installations where multiple users have access to the SRX-Pro Server/Service application. LDAP user profile groups are linked to the SRX-Pro user groups for easy and efficient SRX-Pro permissions control.

LDAP integration with SRX-Pro Server adapts your company’s currently implemented user policies including password changing frequency. By utilizing LDAP integration, individual user accounts are added, removed and modified at the LDAP level without having to log into the SRX-Pro setup, so long as the user belongs to the existing LDAP security group linked to one of the SRX-Pro user groups. By integrating your company’s LDAP with your SRX-Pro Server, you can ensure that when a former employee’s account is disabled by the IT administrator in LDAP, their access to the SRX-Pro Server/Service is also revoked.

This bulletin outlines the step-by-step process of integrating your LDAP user groups with your SRX-Pro Server/Service.

Requirements:

- LDAP-enabled server
- Users, Groups and Organization created in LDAP
- Clients that are able to bind to the LDAP server
- Direct Connectivity to the LDAP server

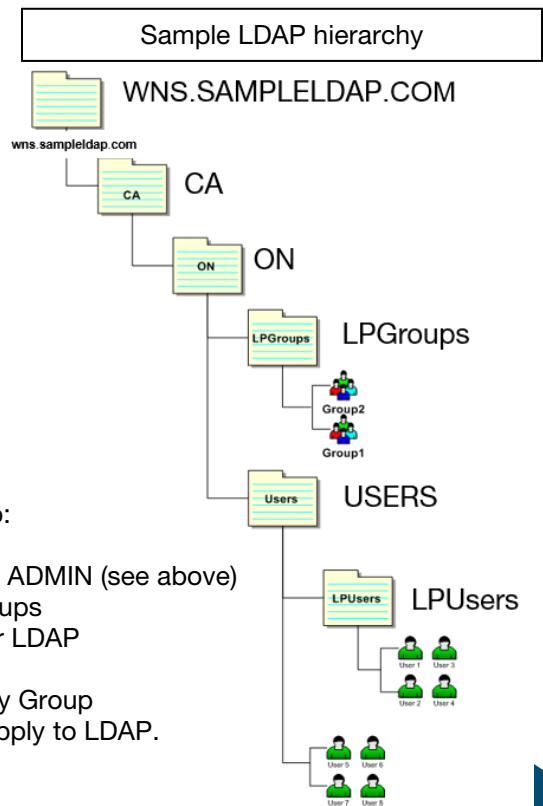
i3-Recommended User Access Levels:

- **USER** – Live, Search, and PTZ control **ONLY**
- **MANAGER** – User permissions + Backup
- **SYSTEM ADMIN/INTEGRATOR** – Complete permissions

General Instructions:

To integrate your LDAP user groups with SRX-Pro Server you will need to:

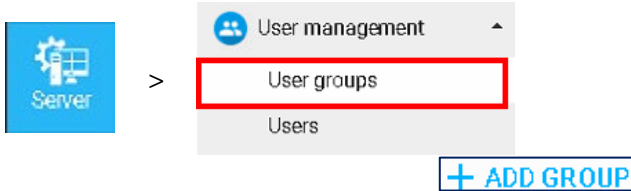
1. Create Security Groups on the LDAP host server.
i3 recommends creating at least 3 user levels: USER, MANAGER and ADMIN (see above)
2. In SRX-Pro Setup, User Management, create corresponding user groups
3. In SRX-Pro Setup, User Management, enable LDAP by filling out your LDAP server credentials
4. Link each SRX-Pro User Group with the corresponding LDAP Security Group
5. Configure SRX-Pro permissions for each SRX-Pro User Group and Apply to LDAP.



Step-by-step Instructions:

To integrate your LDAP user groups with SRX-Pro Server you will need to:

1. Create Profile (security) groups on the LDAP host server.
i3 recommends creating at least 3 user levels: USER, MANAGER and ADMINISTRATOR.
2. Log into SRX-Pro Setup as "i3admin" or another administrator user with complete permissions.
3. Go to **Server > User management > User groups**



6. Repeat steps 4-5 until all user groups have been created.

i3-recommended permission configuration for **USER** access level

- Setup > Servers: Disable ALL
- Setup > Cameras: Disable ALL
- Setup > Other: Disable ALL
- Live – Search – Backup: Disable Backup
- Live – Search – Backup: Enable Live, PTZ, Quick Search, Search

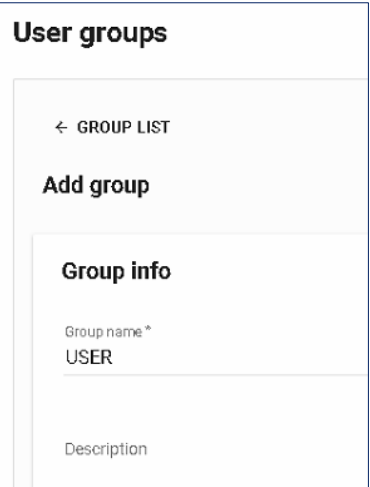
i3-recommended permission configuration for **MANAGER** access level

- Setup > Servers: Disable ALL
- Setup > Cameras: Disable ALL
- Setup > Other: Disable ALL
- Live – Search – Backup: Enable ALL

i3-recommended permission configuration for **ADMIN** access level

- Setup > Servers: Enable ALL
- Setup > Cameras: Enable ALL
- Setup > Other: Enable ALL
- Live – Search – Backup: Enable ALL

7. After new user groups have been configured and added in SRX-Pro User Management tab, the user group list will look similar to this sample.



User groups			
No.	Group name	Number of users	Description
1	ADMIN	0	
2	MANAGER	0	
3	USER	0	
4	CMS	0	System default group
5	Idle	1	System default group
6	Administrator	1	System default group

