

**Re: LD16, 16-channel video encoder**

To all of our customers and partners.

i3 International is pleased to announce the release of the new 16-channel video encoder: LD16. LD16 provides a convenient and economical way of converting analog video signal into a digital video signal. LD16 encoder replaces HR16v2 model and supports up to 8MP of HD-TVI HD analog video resolution.



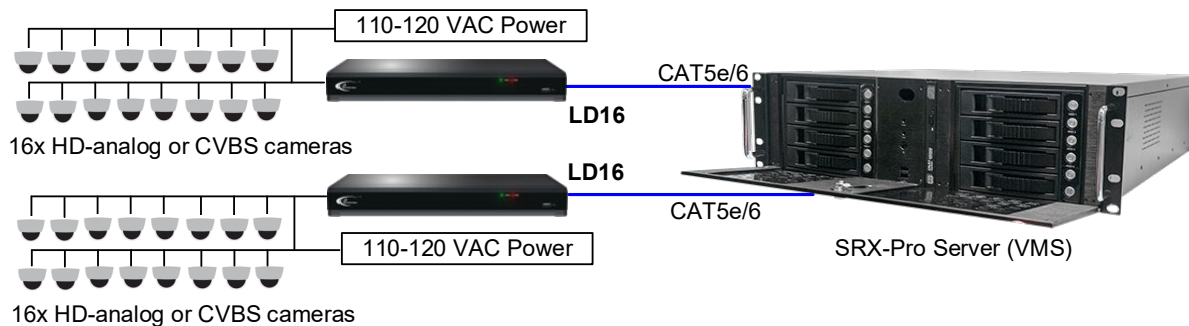
Each HD-TVI analog (High-Definition analog) channel viewed through LD16 supports dual streaming: independently configured Main and Sub-stream. Dual streaming allows recording high-resolution images, while streaming lower-resolution stream in environments, where limited bandwidth is available.

SRX-Pro Server can support up to 4 (four) LD16 encoders at-a-time. Each encoder supports up to 16 analog or HD-analog inputs, however, the total number of inputs that can be added to the SRX-Pro Server is determined by the SRX-Pro unit type and the number of purchased licenses.

In addition to the LD16 encoder, the user must also purchase the “analog channel” licenses. The licenses are available in bundles or singly, to enable the desired number of inputs that can then be added to SRX-Pro Server.

**Network topology when using 1-2 LD16.**

When purchasing 1 or 2 LD16 encoders together with an i3 Server, the NVR will be equipped with a single or dual PCI NIC card, respectively. Connect the encoders to the single or dual PCI NIC card labeled “LD16” (not the on-board NIC) on your NVR.

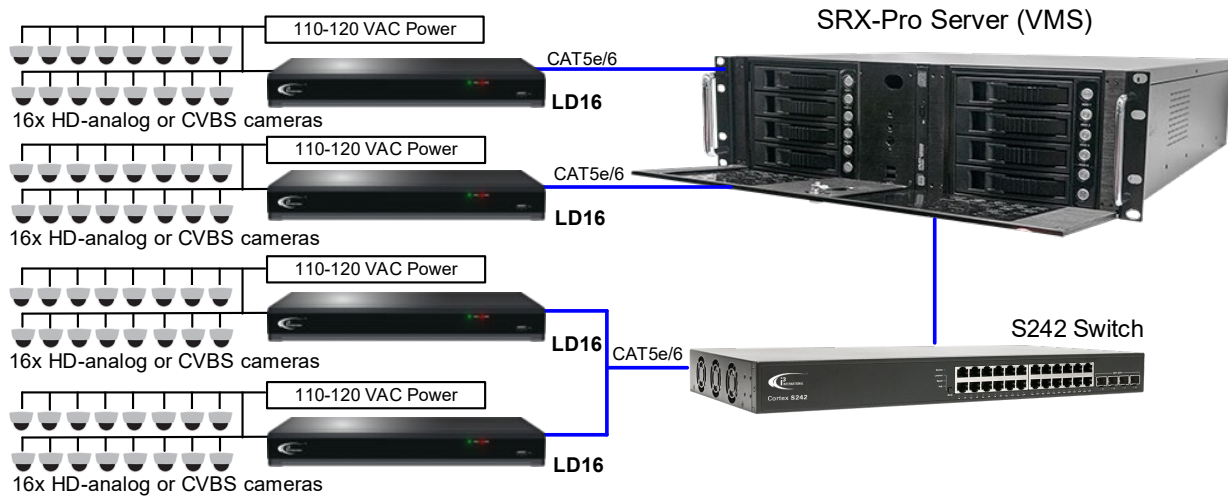


**Network topology when using 3-4 LD16.**

When purchasing 3 to 4 LD16 encoders together with an i3 Server, the NVR will be equipped with a dual PCI NIC card.

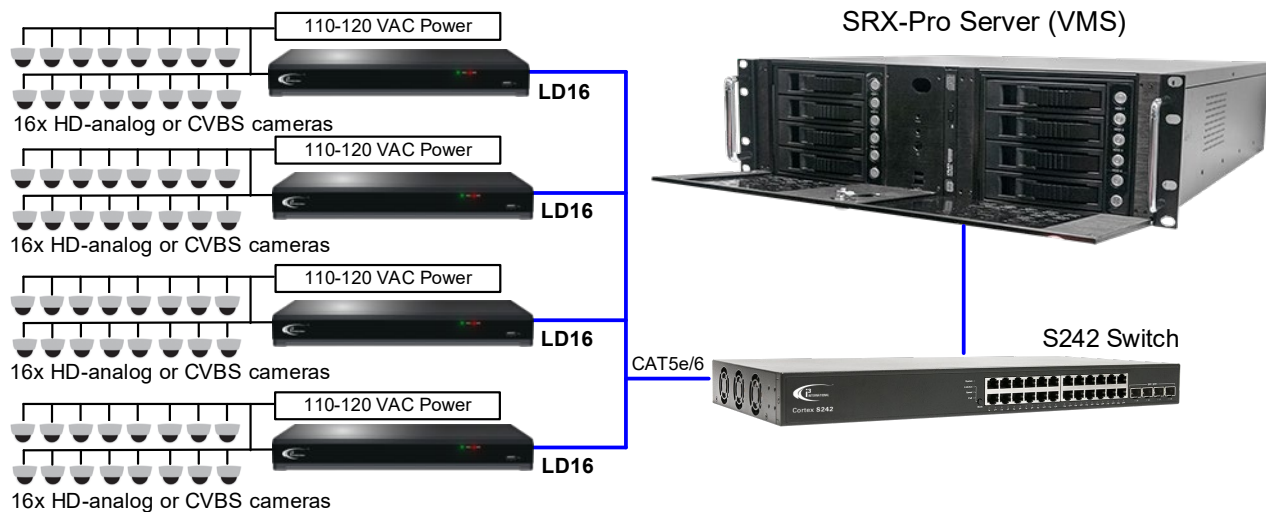
**Option A.**

Connect two of the LD16 encoders to the dual PCI NIC card labeled "LD16" (not the on-board NIC) on your NVR and the rest of the LD16 encoders to an i3-recommended Gigabit switch.



**Option B.**

Connect all LD16 encoders to an i3-recommended Gigabit switch.





### LD16 recording resolution vs frame rate limitations

<b>Resolution</b>	8MP	5MP	4MP	1080p and lower
<b>Frame Rate</b>	10 fps	15 fps	20 fps	30 fps

### Software requirements

- i3 GiPi, July 6, 2023 release
- Annexus Configuration Tool v2.1.2.19
- SRX-Pro / VPC 7.3.2.X

### LD16 compatibility information

	<b>v.6.0.2.X and above</b>	<b>V7.0.2.X - v7.3.2.46</b>	<b>V7.3.2.47 and above</b>
Discovery, Get video	<b>No</b>	<b>Yes</b>	<b>Yes</b>
PTZ control	<b>No</b>	<b>No</b>	<b>Yes</b>
FPS/Resolution changes in SRX-Pro will apply to Web GUI	<b>No</b>	<b>Yes</b>	<b>Yes</b>
FPS/Resolution changes made in Web GUI will apply to SRX-Pro	<b>No</b>	<b>Yes</b>	<b>Yes</b>
Restart from SRX-Pro	<b>No</b>	<b>Yes</b>	<b>Yes</b>
Video Loss notification support	<b>No</b>	<b>Yes</b>	<b>Yes</b>

### Warranty

LD16 encoder is backed by i3 International's superior 5-year limited camera warranty. Please read here to learn more: <https://i3international.com/company-policies>

Please contact technical support if you have any questions or issues.  
Email: [support@i3international.com](mailto:support@i3international.com)  
Tel.: 1.877.877.7241

#### CONTACT US

[www.i3international.com](http://www.i3international.com)

Toll free: 1.866.840.0004

Tel: 416.261.2266

Fax: 416.759.7776

#### CANADA

**i3 International Inc.**

780 Birchmount Rd, Unit 16

Toronto, Ontario

M1K 5H4, Canada

#### USA

**i3 America (Nevada) Inc.**

4001 Cobb International Boulevard,

Kennesaw, GA 30152