

November 22, 2020

**Release Notice: B53 back box for Am53 camera**

To all of our customers and partners;

This bulletin is to announce the release of the B53 back box for i3's Am53 camera. B53 replaces B5 pendant mounting bracket.

B53 is compatible with DB60 Wallmount Goose-Neck bracket and features  $\frac{3}{4}$ " female connection for easy Pendant or Wall-mount installation options.

**Mounting Options**

The following modes of installation are possible: surface-mounting, wall-mounting, and pendant mounting.

**Compatible i3 Mounting Brackets & Accessories:**

DB60 – Gooseneck mounting bracket,  $\frac{3}{4}$ " Male

DB60CPM – Corner/pole mount bracket, use with DB60

DB60 goose-neck bracket mounting kit is designed for direct surface mount, or standard single gang outdoor electrical box installations (e.g. Red Dot S100WHCN). DB60 can be combined with B53, and can also be paired with the optional DB60CPM bracket for corner- or pole-mount installations.

Please contact technical support if you have any questions or issues.

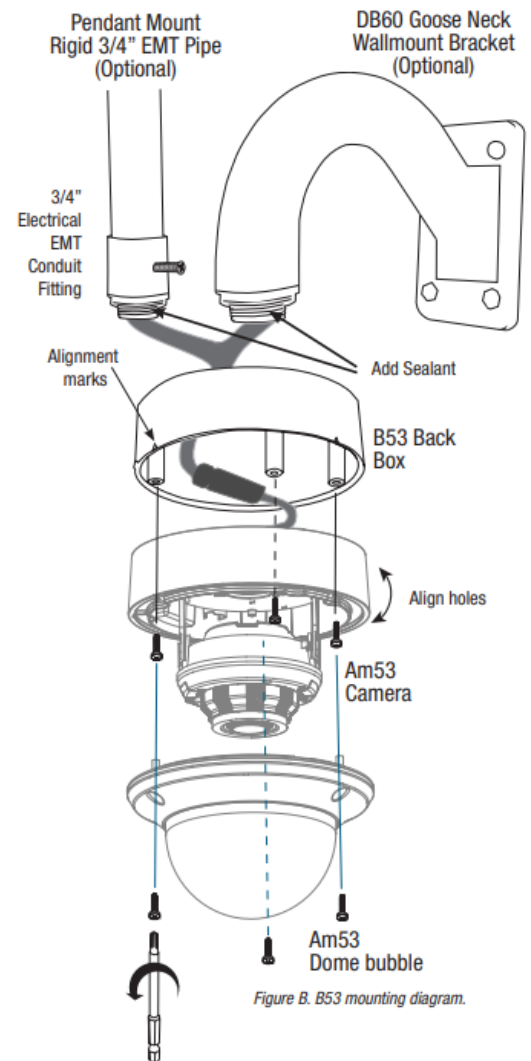
Email: [support@i3international.com](mailto:support@i3international.com)

Tel.: 1.877.877.7241

Live Chat: <https://i3international.com>



*B53, Back box for Am53.*



*Figure B. B53 mounting diagram.*